

FITTING INSTRUCTIONS

BMW F800GS

120-008-030-015



IMPORTANT NOTES

KEY



NOTE!



CAUTION!



WARNING!



The front forks are a very important part of the motorcycle and will affect the safety and stability.



Read the instructions carefully and make sure you understand them before you proceed. If you have any queries please contact your dealer or nearest supplier of K-Tech Suspension immediately.



K-Tech Suspension Ltd. cannot be held responsible for any damage to vehicle, front fork, personal injury or property if the installation instructions are not followed exactly.



Please read this instruction manual before installing the cartridge kit.



This cartridge kit should only be installed by an authorised K-Tech Dealer.

- 1** This cartridge kit was designed and developed for a specific motorcycle model and should only be installed onto the recommended model in its original condition.

- 2** After this product has been installed you should take a low speed test ride to check stability of the vehicle has been maintained.

- 3** This product needs specialised tools to fit correctly and should only be fitted by a K-Tech dealer or a person with the correct tools and qualified in motorcycle suspension and trained to install the front fork cartridge kits to ensure the performance of this product.

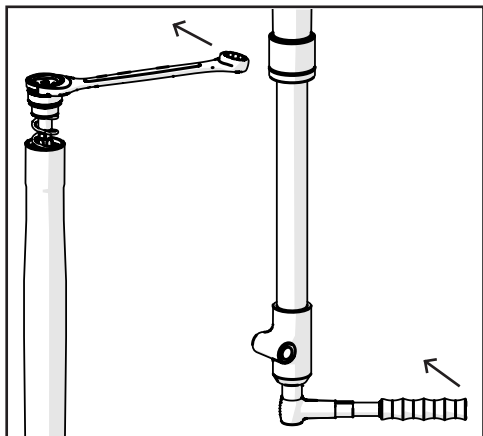
- 4** When Fitting the kit, fit only one leg at a time to avoid confusion. Always fit the compression cartridge into the left hand leg and the rebound into the right.

- 5** Remove the front forks from the motorcycle using the manufacturer's workshop manual.



SECTION B

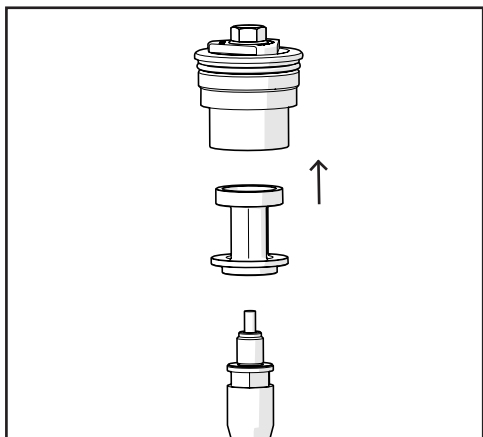
1



Remove standard cartridge by unscrewing the cartridge from the bottom of the axle bracket using a 8mm hex and unscrewing the top cap with a 19mm spanner.

You are now ready to fit the K-Tech cartridge.

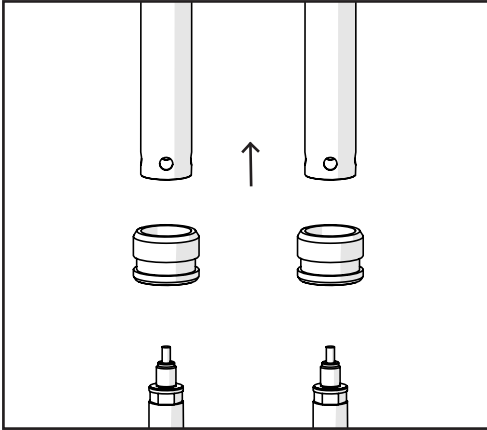
2



Remove the top cap assembly and the nylon preload pusher from the K-tech cartridge.

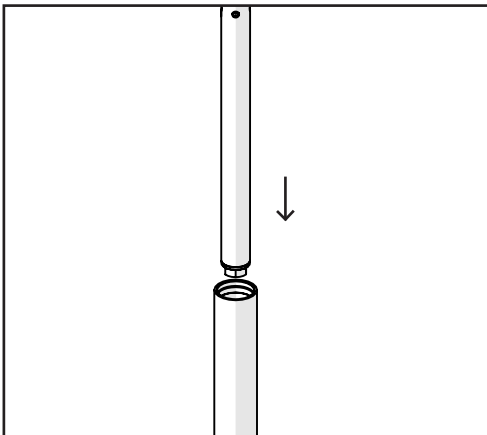
4

3



Remove the preload tube and spring support.

4



Lower the cartridge into the empty fork leg, making sure the washer from the standard cartridge is at the bottom of the fork leg.



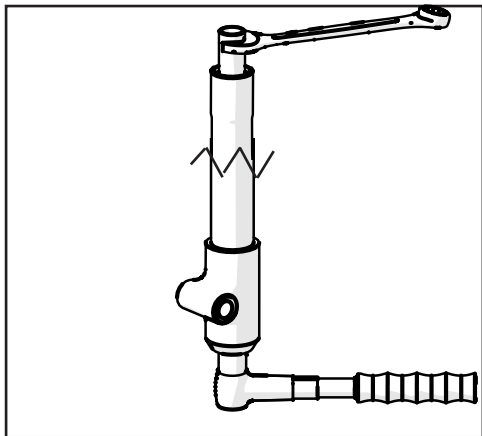
Fit the compression (black) cartridge into the left hand leg.



Fit the rebound (natural) cartridge into the right hand leg.

SECTION B

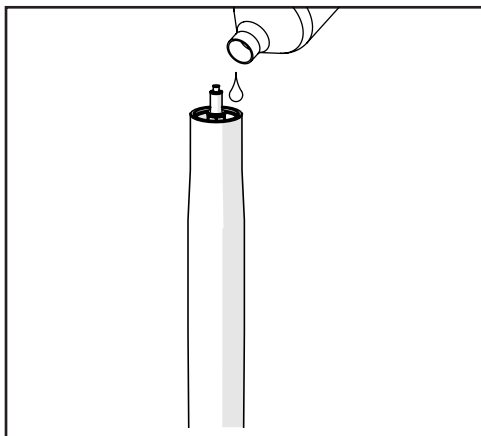
5



Use a 24mm spanner and tool no. 113-125-050 to hold the cartridge whilst torquing the bolt.

Install the original retaining bolt into the bottom of the axle bracket. Torque bolt to 35Nm using an 8mm hex.

6

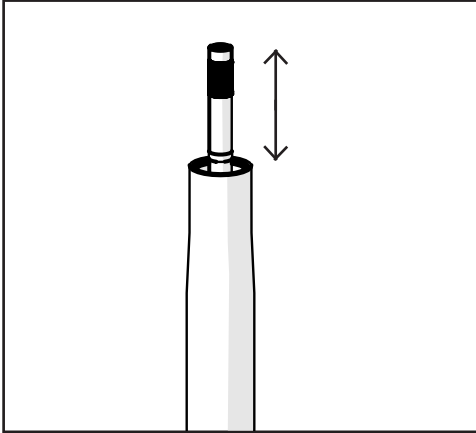


Before filling the fork with oil make sure the spring seat washer is installed onto the cartridge.

Pour oil into the fork to cover the top of the damper tube assembly.
K-Tech recommend 5wt.

6

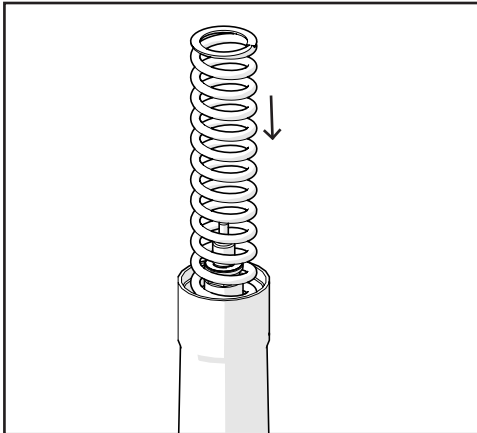
7



Make sure the oil always covers the top of the damper tube assembly.

Pump the piston rod up and down using tool No. 113-030-005. Pump the rod up and down approximately 20 times until it feels smooth with no air bubbles in the oil.

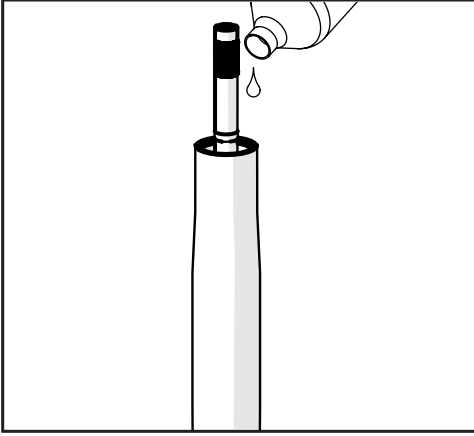
10



Standard Springs can be used with the K-Tech Cartridge.

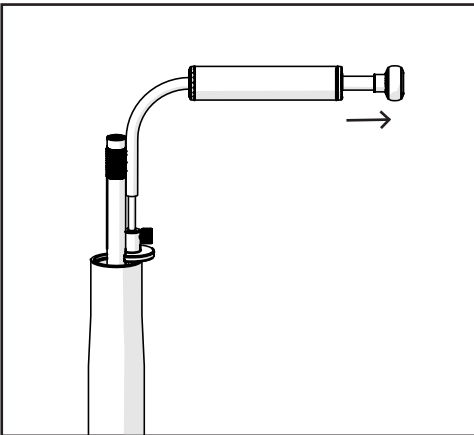
Install the spring you have chosen. The spring will slide over the cartridge and sit at the bottom of the fork leg

8



Completely fill the fork leg with oil.

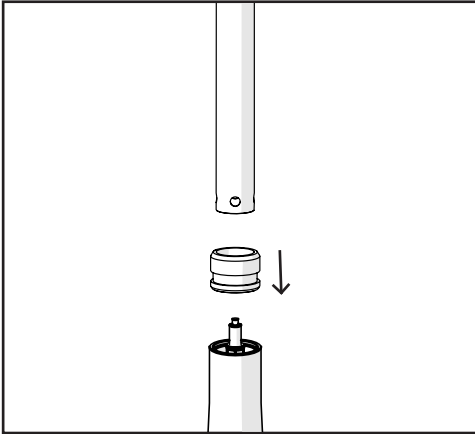
9



Set your oil level using tool No. 113-030-500. Set your tool to 130mm and suck the excess oil out.

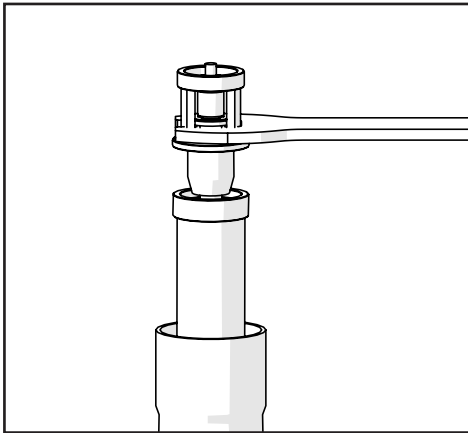


When setting oil level make sure the piston rod is fully down.

11

Make sure to use the standard band on the spring support

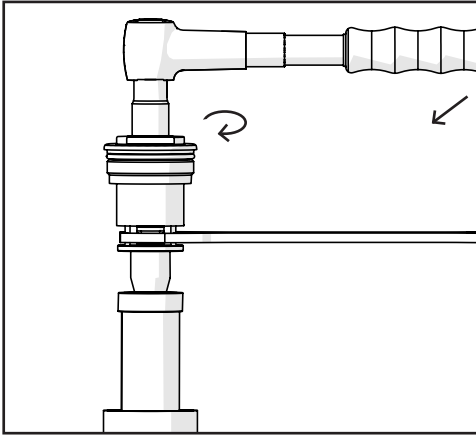
Install the preload tube and the spring support. When installing the spring support you must use the band of the standard cartridge.

12

Pull up the piston rod and hold it in place with tool no. 113-010-020.

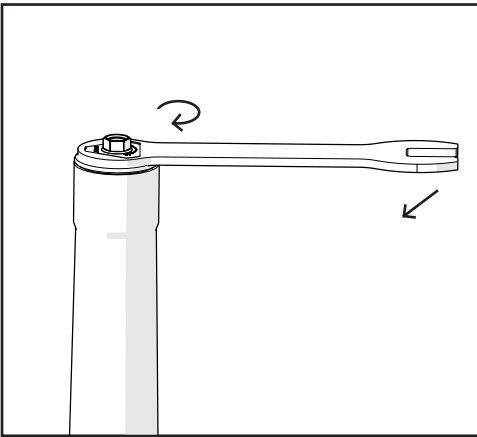
SECTION B

13



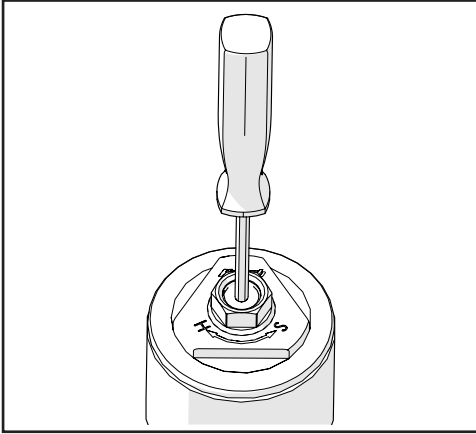
Install top cap and torque to 15Nm using a 14mm socket.

14



Screw the outer tube up onto the top cap using tool no. 113-010-020.

15



Set your preload using a 14mm socket by winding the 14mm hex in the centre of the top cap. All adjustments are made from fully out (anti-clockwise) 1 turn is equal to 1mm of preload.

Set your adjuster clicks by winding your adjuster needle out to the recommended setting using a 3mm allen key. Reference the setting data in this manual.

- 16 Reinstall the fork onto the motorcycle in accordance with the manufacturers workshop manual.

RECOMMENDED SETTINGS

Cartridge stroke	226.50mm
Cartridge length	899mm
Compression:	-16 clicks out
Rebound:	-18 clicks out
Air gap:	130mm
Spring rate:	
Fork position:	Set to owners manual



www.ktechsuspension.com

Contact your local K-Tech dealer for more details at
www.ktechsuspension.com/service-centres-and-partners