

OWNER'S MANUAL

INDIAN SCOUT

120-015-140-120



TRACKER FRONT FORK CARTRIDGE

RECOMMENDED SETTINGS	
Fork stroke	116mm
Air gap/Oil level	100mm (Spring in)
Fork oil	5wt
Spring rate	32-320-VAR
Comp damping	15 Clicks
Reb damping	15 Clicks
Fork position	See Manufactures Specification.

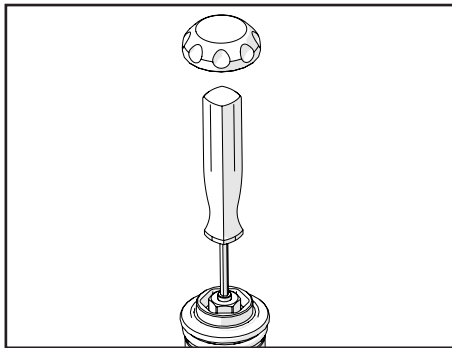
INTRODUCTION

Refinement, control, stability and style comes as standard with the K-Tech Tracker front fork cartridges. With external adjustment for spring pre-load, compression and rebound damping.

The Tracker front fork cartridges allows the rider to adjust the forks on their motorcycle for different types of riding styles and conditions.

K-Tech Suspension Ltd products are manufactured to fit specific brands and models. Under no circumstances should any K-Tech Suspension Ltd products be fitted to an application other than that for which it has been designed, tested and manufactured.

ADJUSTMENT

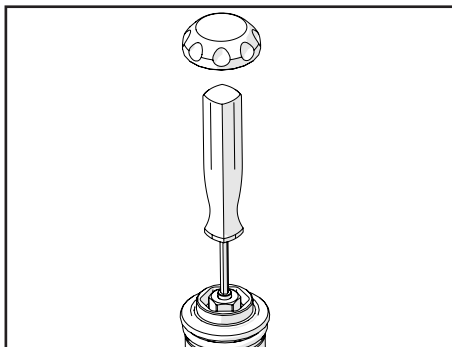


Compression Damping:-

Adjust using 3mm allen key in the centre of the top cap (Black).

Adjustment range is 32 clicks.

All settings should be made from the fully closed (clockwise) position.

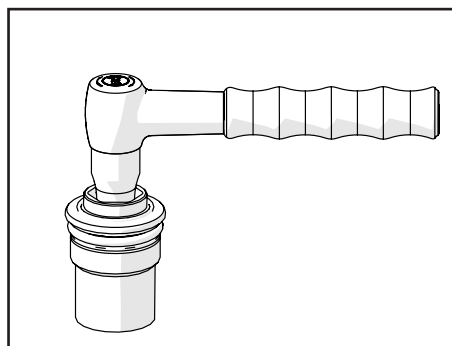


Rebound Damping:-

Adjust using 3mm allen key in the centre of the top cap (Natural).

Adjustment range is 32 clicks.

All settings should be made from the fully closed (clockwise) position.



Preload Adjustment:-

Adjust using 12mm socket on the hex in the centre of the top cap.

Adjustment range is 18 turns.

All settings should be made from the fully out (anti-clockwise) position.



www.ktechsuspension.com

Contact your local K-Tech dealer for more details at
www.ktechsuspension.com/service-centres-and-partners