

OWNER'S MANUAL

KTM 65SX

120-012-155-065



INTRODUCTION

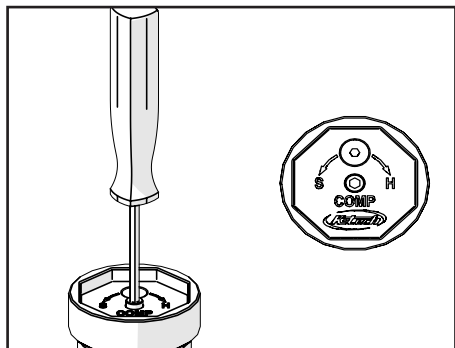
The Off Road Damping System (ORDS) has been designed exclusively for Off Road riding conditions. They are designed and manufactured in the UK using the highest quality materials and processes available. The system provides the rider with the confidence to push to the limit. The hydraulic anti-bottoming device allows the rider to hit harder and jump bigger whilst providing a safe and controlled environment.

K-Tech Suspension Ltd products are manufactured to fit specific brands and models. Under no circumstances should any K-Tech Suspension Ltd products be fitted to an application other than that for which it has been designed, tested and manufactured.

RECOMMENDED SETTINGS

Fork stroke	215mm
Air gap/Oil level	120mm
Fork oil	5wt.
Spring rate	29.5-370-VAR
Comp damping	16 Clicks
Reb damping	16 Clicks
Fork position	See Manufacturer's Specification.

ADJUSTMENT

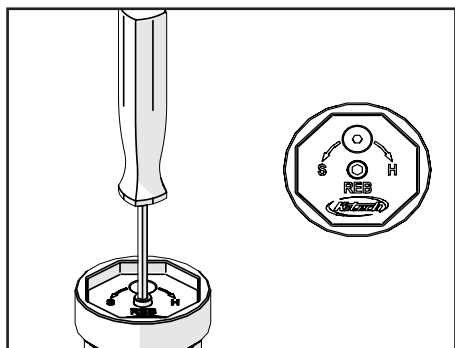


Compression Damping:-

Adjust using a Flat head screwdriver in the bottom of the foot .

Adjustment range is 32 clicks.

All settings should be made from the fully closed (clockwise) position.



Rebound Damping:-

Adjust using a 3mm allen key in the centre of the top cap (labelled REB).

Adjustment range is 32 clicks.

All settings should be made from the fully closed (clockwise) position.

SERVICE

K-Tech Suspension Ltd recommend that this product is serviced every 40 hours of use. It is very important that this product is serviced by an authorised dealer, as there are special tools required to guarantee correct performance of this product. K-Tech Suspension Ltd cannot be held responsible for any damage caused to/by the product if a service is overdue or was not conducted by an authorised dealer.

www.ktechsuspension.com/service-centres-and-partners



www.ktechsuspension.com

Contact your local K-Tech dealer for more details at
www.ktechsuspension.com/service-centres-and-partners